

QuickWood System

Compact • 3-sided • Low Cost

Model CD2-300



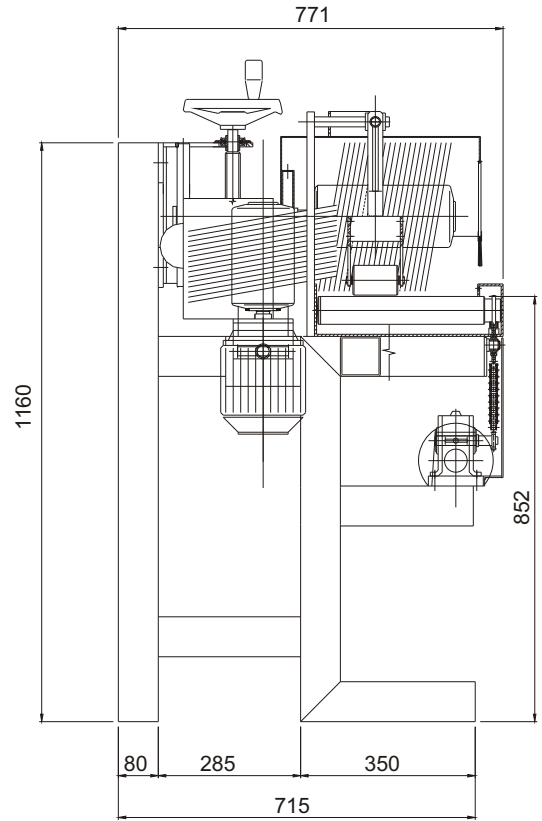
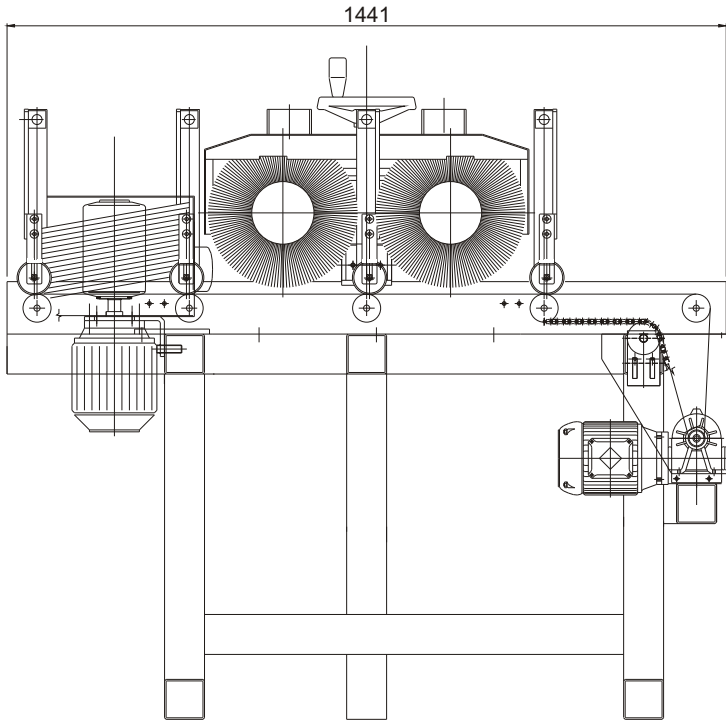
Finishing and Sealer Sanding of oblong items

- Module 300 with 2 motors (2 x 0,55 kW).
- Infinitely variable adjustment by frequency alternator (350-1150 rpm).
- Height adjustment 0-100 mm by hand wheel.
- Dust collection with 2 x 90 mm duct.
- Roller conveyor, 1441 mm long with PVC rollers, working height 852 mm.
- Conveyor motor 0.37 kW with 7 m/min. (Optional with adjustment from 3-18 m/min.)
- Pressure rollers in front of, between and behind the spindles.
- Working width 300 mm.
- Removable shafts.
- Optional side sander in the right side.
- Optional side sander in the left side to be adjusted in all angles.
- Prepared for all QuickWood tools.

QuickWood



Technical Specifications



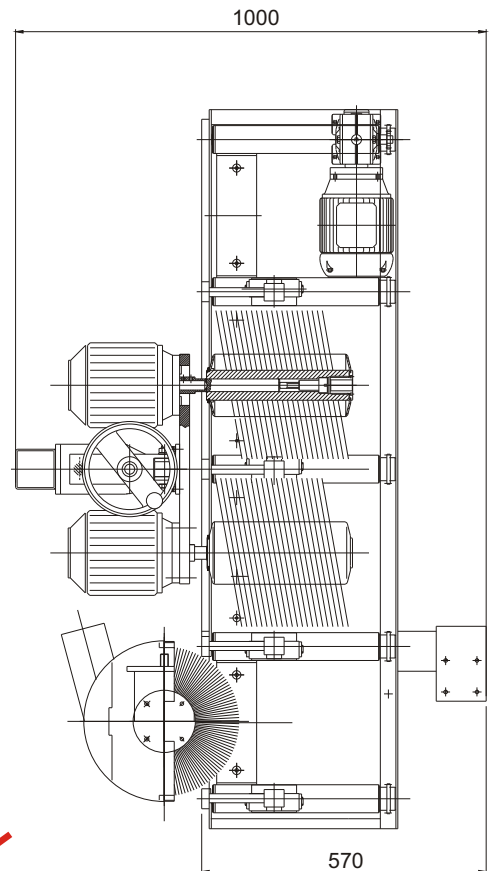
Model CD2

300

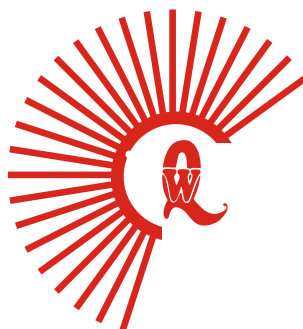
Dimensions of workpiece:

Height max., mm	100
Width max., mm	300
Length	infinite

Throughfeed speed, m/min.	7
Spindle speed, rpm	350-1150
Spindle length, mm	300
Number of spindles	2
Diameter of tools max., mm	300
Total number of QUICK-Discs	48
Main motor, kW	2 x 0.55
Frequency alternator spindles, kW	1.5
Conveyor motor, kW	0.37
Dust collection duct, mm	2 x 90
Dust collection, m ³ /h	1500
Net weight, kg	appr. 260



QuickWood



Sand-Tech Inc
 805 Marathon Pkwy. Suite 110
 Lawrenceville, GA 30045

Phone:(770) 682-8863 • Fax:(770) 682-3960
 email: quickwood@msn.com • Homepage: www.quickwood.com